

EZ-RJ45[®] Cat 5e Plug and Crimp Tool

APPLICATION

Leviton EZ-RJ45 Plug and EZ-RJ45 Crimp Tool support quick, cost-effective UTP wire terminations. The connectors feature openings that allow wires to be inserted and extended out the front to provide increased performance, wire-sequence verification, and no wasted connectors, crimps, or bad terminations. Plugs exceed Category 5e standards when terminated using the Leviton EZ-RJ45 Crimp Tool. The crimp tool features a built-in cutter that crimps and cuts wires in one operation. It accommodates EZ-RJ45 Plugs, and most standard RJ-45 and RJ-11 connectors. This craft-friendly tool features precision ground crimp dies, a full-cycle ratcheting mechanism, and steel construction for strength and durability.

EZ-RJ45 Cat 5e Plug



EZ-RJ45 Crimp Tool (not to scale)

FEATURES

- Clear housing for easy wire-sequence verification
- Crimp Tool crimps and cuts wires in one operation

DESIGN CONSIDERATIONS

- Exceeds Category 5e performance requirements
- Insert/extraction life: 1000 cycles
- Terminates solid and stranded cable
- For insulated conductors with OD range of 0.037 to 0.041
- Max cable OD: 0.240" (6.09 mm)
- Ideal for use with indoor LSZH, CM, CMR, and CMP cable constructions. For Outside Plant (OSP) and Industrial cable constructions evaluate plug and cable combination for application suitability

STANDARDS & REGULATIONS

- ANSI/TIA-1096-A
- cULus Listed

MECHANICAL SPECIFICATIONS

Dimensions: See page two

Materials: Polycarbonate body and phosphor bronze

COUNTRY OF ORIGIN

Plug: USA

Crimp Tool: Taiwan

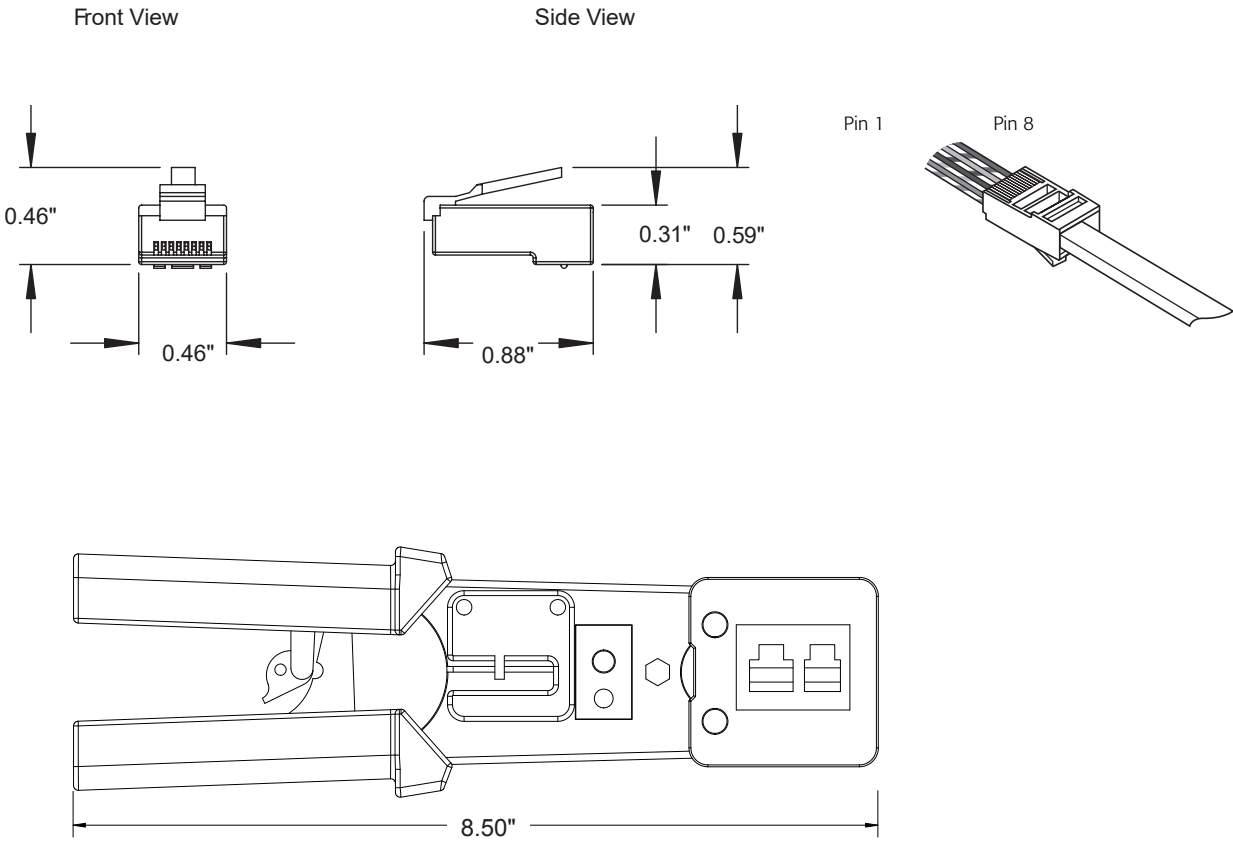
WARRANTY INFORMATION

For Leviton product warranties, go to leviton.com/ns/warranty

SPECIFICATION

The Cat 5e EZ-RJ45 Plug shall meet ANSI/TIA-1096-A and Category 5e requirements (when used with the Leviton EZ-RJ45 Crimp Tool). It shall be constructed with phosphor bronze contacts selectively plated with 50 microinches of hard gold, and a polycarbonate body. It shall allow UTP wires to extend through the body and out the front to verify wire sequence prior to termination.

PRODUCT SPECIFICATIONS
47613-EZx, 40989-ACT



47613-EZx, 40989-ACT

PART NUMBERS

Description	Part No.
EZ-RJ45® Cat 5e Plug, quantity of 50	47613-EZC
EZ-RJ45 Cat 5e Plug, quantity of 10	47613-EZR
EZ-RJ45 Crimp Tool	40989-ACT

Note: EZ-RJ45 is a trademark of SullStar Technologies, Inc.

For further support information, visit leviton.com/ns/support

USA
 Network Solutions Headquarters
 +1 (800) 722 2082
infoUSA@leviton.com
 Leviton Berk-Tek Cable: +1 (800) 237 5835
berktek.info@leviton.com

Asia Pacific
 +852 3620 2602
infoAPAC@leviton.com

Canada
 +1 (800) 461 2002
infoCanada@leviton.com

Europe
 +44 (0) 1592 772124
infoEurope@leviton.com

Latin America
 MX: +52 (55) 2128 6286
 LATAM: +52 (55) 2333 5963
infoLATAM@leviton.com

Middle East & Africa
 +971 (4) 247 9800
infoMEA@leviton.com

NETWORK SOLUTIONS PRODUCTS ARE AVAILABLE WORLDWIDE IN OVER 100 COUNTRIES. VISIT US ONLINE AT LEVITON.COM/NS TO LEARN MORE.